

One-sectioned, 19” wall-mounted cabinets RUA

P/N: RUA-xx-AS4-CAY-A1

P/N: RUA-xx-AS5-CAY-A1

P/N: RUA-xx-AS6-CAY-A1

Features

- welded construction with IP30 protection
- removable and lockable side panels enable an easy access to the installed devices
- hardened smoked glass door (standard)
- solid steel or perforated door (air permeability 80 %) available upon request
- front and rear vertical rails freely adjustable in any depth of the cabinet
- frame of the cabinet and all removable parts are connected with earthing cables
- cable openings covered with breakout-type blanking panels located at the top, bottom and rear part of the cabinet
- protective blanking panel with a brush to seal the cabinet opening against dust penetraion (1 pc)
- set of M6 screws and captive nuts (8 pcs)
- 6 breakout-type blanking panels (3 in the top, 3 in the bottom) for the installation of fan units RAX-CH-X07-X9 and RAC-CH-X26-X1



Product codes

Front door

RUA-xx-xxx-xAY-A1

- A – hardened smoked glass door (standard)
- C – solid steel door
- L – perforated door

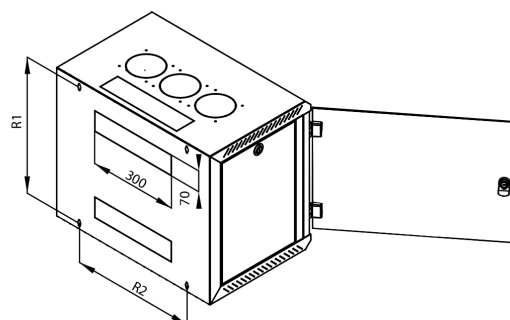
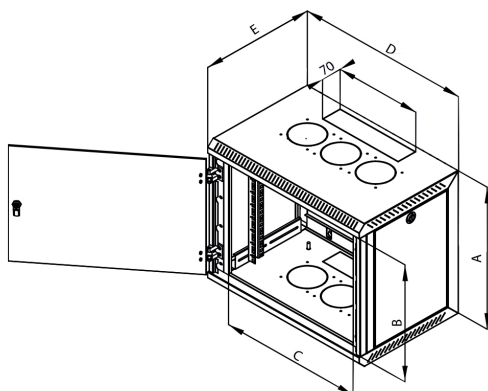
Color

RUA-xx-xxx-xAY-A1

- C – gray RAL7035 (standard)
- B – black RAL9005

Surface

structured, matt



Parameters AS4

depth 395 mm, width 600 mm		A (mm)	B (mm)	C (mm)	D (mm)	E (mm)	weight (kg)	capacity (kg)
6U	P/N: RUA-06-AS4-CAY-A1	370	265	530	600	395	14,2	45
9U	P/N: RUA-09-AS4-CAY-A1	500	395	530	600	395	17,3	45 (used with reinforcement set 90)
12U	P/N: RUA-12-AS4-CAY-A1	635	530	530	600	395	20,3	
15U	P/N: RUA-15-AS4-CAY-A1	770	665	530	600	395	22,0	
18U	P/N: RUA-18-AS4-CAY-A1	900	795	530	600	395	26,6	

Parameters AS5

depth 495 mm, width 600 mm		A (mm)	B (mm)	C (mm)	D (mm)	E (mm)	weight (kg)	capacity (kg)
6U	P/N: RUA-06-AS5-CAY-A1	370	265	530	600	495	16,1	45
9U	P/N: RUA-09-AS5-CAY-A1	500	395	530	600	495	19,5	45 (used with reinforcement set 90)
12U	P/N: RUA-12-AS5-CAY-A1	635	530	530	600	495	21,7	
15U	P/N: RUA-15-AS5-CAY-A1	770	665	530	600	495	26,0	
18U	P/N: RUA-18-AS5-CAY-A1	900	795	530	600	495	29,1	

Parameters AS6

depth 595 mm, width 600 mm		A (mm)	B (mm)	C (mm)	D (mm)	E (mm)	weight (kg)	capacity (kg)
6U	P/N: RUA-06-AS6-CAY-A1	370	265	530	600	595	18,9	45
9U	P/N: RUA-09-AS6-CAY-A1	500	395	530	600	595	21,3	45 (used with reinforcement set 90)
12U	P/N: RUA-12-AS6-CAY-A1	635	530	530	600	595	26,0	
15U	P/N: RUA-15-AS6-CAY-A1	770	665	530	600	595	28,5	
18U	P/N: RUA-18-AS6-CAY-A1	900	665	530	600	595	31,0	